

General

A component of the Wybron Infotrace Series of Products

Integral Color Module provides a nearly infinite color palette plus mechanical dimming via 4-channel DMX control

Gate Assembly: Four 20 gauge stainless steel shutters operating in three independent planes, with "M" size Gobo and Iris slot

150 watt compact, CDM light source

Integral electronic ballast

Precise, tool-free lamp optimization

Standard 7.5-inch accessory holders

Integral safety cable mount on fixture

Color LCD display for user settings

Front mounting plate for additional accessories

Integrated stainless steel safety cable

Precision milled aluminum construction

Compact, elegant design allows hanging on 12" centers

Accepts power and data on one cable

4 pin XLR connector for power and data

4 pin XLR connector output for daisy chaining units

Extremely quiet, convection cooled, no fans

High impact, thermally insulating handles

Yoke: Flat steel with two mounting positions

UL Approved

Made in the USA

Power/Data

Ballast voltage 120/277 VAC

Receives 24v DC and DXM/RDM from Wybron PS Series Power supply

XLR Connector Pin Out

XLR Pin #	Function	Conductor Size
1	Ground	14 AWG
2	Data +	22 AWG
3	Data -	22 AWG
4	24 Volts DC	14 AWG

**Not Compatible with Ram II Power Supplies*

Cable: 36" Teflon coated leads encased in heat resistant black fiberglass sleeve

Control

Uses DMX512-A Protocol

Infotrace features available using ANSI E1.20 - 2006 Remote Device Management over USITT DMX512 standard

Color position /main address, user selectable 1-512

Control input and daisy chain via 4 pin XLR

Parameters and features selectable with Infotrace/RDM:

Base Address

Firmware Upgrade

Optical

Computer optimized optics

Reflector: Dichroic coated borosilicate cold mirror

Lenses: High temperature borosilicate

Accessories

Includes malleable iron pipe clamp

Optionally available with installed Stage pin, Twist lock & Edison connectors

Black gobo holder

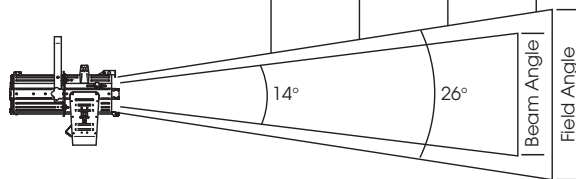


Photometrics-150W CDM Lamp @ 115V

Narrow Focus

Degree	Candlepower	Field Lumens	Efficacy	Efficiency
26°	77,200 (Cd)	4770	31.8 LPW	34.1%

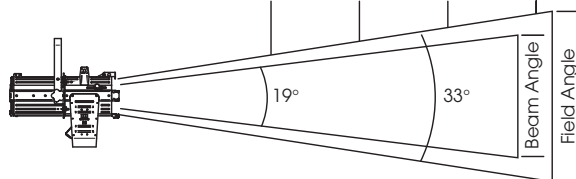
Distance (ft)	20	30	40	50
Field Diameter (ft)	9.3	13.8	18.4	23.0
Illumination (fc)	198	86	48	31



Wide Focus

Degree	Candlepower	Field Lumens	Efficacy	Efficiency
33°	44,940 (Cd)	5080	33.9 LPW	36.3%

Distance (ft)	10	15	20	25
Field Diameter (ft)	7.7	11.8	15.6	19.5
Illumination (fc)	266	119	67	43



Specifications as of 2/1/06 and may be subject to change

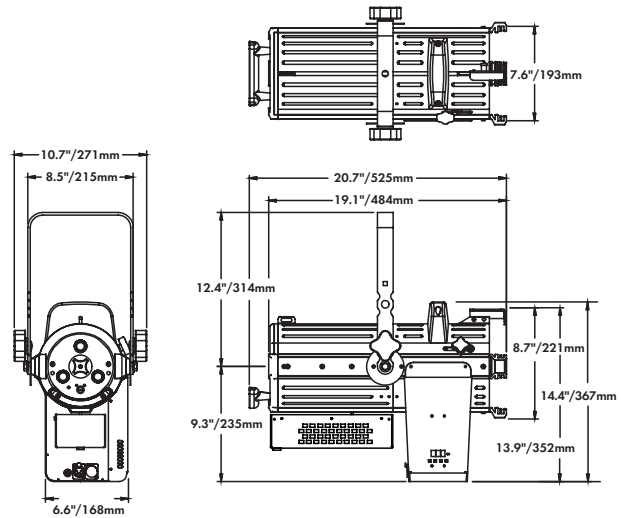
Lamp Data

Socket: G12 style, rated to 350° C
Tool-free precision lamp alignment

Lamp Watts(nominal)	150
Rated Lumens	14,000
Rated Hours	10,000
Color Temp	3000K
Color Rendering Index	85
Efficacy	93

Dimensions & Weights

Wash (CDM) Model 2580LX



Weight: Weight: 24.9 lbs. (11.3 kg)
Accessory holder: 7.5"

Ordering Information

NEXERA Luminaire	
Model	Description
2580LX	NEXERA Wash (CDM)
NEXERA Accessories	
703-03-09BK	Safety Cable
258-01-01P	Black Gobo Holder
287391	Lamp, GLC 115V
294322	Lamp, GLA 115V
363721	Lamp, GKV 230V
363739	Lamp, GLB 230V
7042-XX	Power/Data Cable (XX=Length)*
NEXERA Power Supply (PS-Series)	
20600	Power Supply for 24 NEXERA Luminaires
20300	Power Supply for 12 NEXERA Luminaires
20150	Power Supply for 6 NEXERA Luminaires
NEXERA AC Power Connectors	
PP2PGMC	Stage Pin Connector
LEV2311BK	Twist Lock Connector
HBL5266C	Edison Connector

*Available in 3', 5', 10', 15', 25', 50', 75', & 100' lengths



Advancing The Art Of Lighting