

**General**

A component of the Wybron Infotrace Series of Products

Integral Color Module provides a nearly infinite color palette via 3-channel DMX control

Gate Assembly: Four 20 gauge stainless steel shutters operating in three independent planes, with "M" size Gobo and Iris slot

575 watt compact tungsten, high CRI source (GLC/GLA)

Precise, tool-free lamp optimization

Standard 7.5-inch accessory holders

Integral safety cable mount on fixture

Color LCD display for user settings

Front mounting plate for additional accessories

Integrated stainless steel safety cable

Precision milled aluminum construction

Compact, elegant design allows hanging on 12" centers

Accepts power and data on one cable

4 pin XLR connector for power and data

4 pin XLR connector output for daisy chaining units

Extremely quiet, convection cooled, no fans

High impact, thermally insulating handles

Yoke: Flat steel with two mounting positions

UL Approved

Made in the USA

**Power/Data**

Lamp line voltage 120/240 VAC

Receives 24v DC and DXM/RDM from Wybron PS Series Power supply

**XLR Connector Pin Out**

XLR Pin #	Function	Conductor Size
1	Ground	14 AWG
2	Data +	22 AWG
3	Data -	22 AWG
4	24 Volts DC	14 AWG

*\*Not Compatible with Ram II Power Supplies*

Cable: 36" Teflon coated leads encased in heat resistant black fiberglass sleeve

**Control**

Uses DMX512-A Protocol

Infotrace features available using ANSI E1.20 - 2006 Remote Device Management over USITT DMX512 standard

Color position /main address, user selectable 1-512

Control input and daisy chain via 4 pin XLR

**Parameters and features selectable with Infotrace/RDM:**

Base Address  
Firmware Upgrade

**Optical**

Computer optimized optics

Reflector: Dichroic coated borosilicate cold mirror

Lenses: High temperature borosilicate

**Accessories**

Includes malleable iron pipe clamp

Optionally available with installed Stage pin, Twist lock & Edison connectors

Black gobo holder

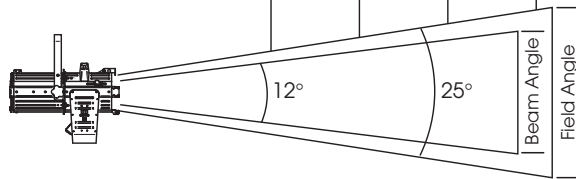


**Photometrics-Tungsten 575W GLC @115V**

**Narrow Focus**

Degree	Candlepower	Field Lumens	Efficacy	Efficiency
25°	116,000 (Cd)	6830	11.9 LPW	44.1%

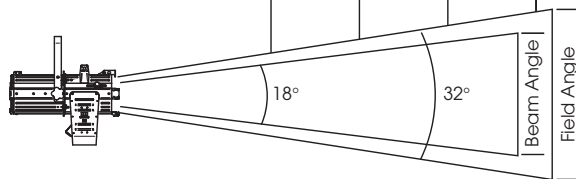
Distance (ft)	20	30	40	50
Field Diameter (ft)	9.2	13.4	17.9	22.4
Illumination (fc)	290	130	72	45



**Wide Focus**

Degree	Candlepower	Field Lumens	Efficacy	Efficiency
32°	67,500	7250	12.6 LPW	46.8%

Distance (ft)	10	15	20	25
Field Diameter (ft)	5.8	8.3	11.5	14.3
Illumination (fc)	675	307	178	109



Specifications as of 2/1/06 and may be subject to change

**Lamp Data**

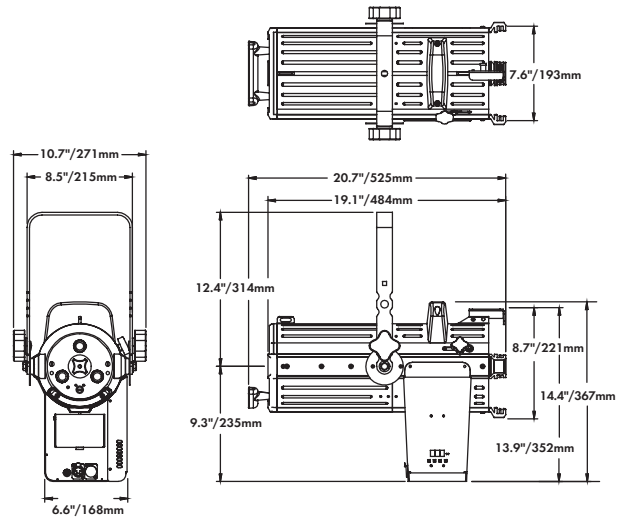
Socket: G9.5 style, rated to 350° C

Tool-free precision lamp alignment

ANSI Code	Watts	Rated VAC	Color Temp	Rated Hours	Rated Lumens
GLC	575	115	3200	400	15500
GLA	575	115	3100	1500	13500
GKV	600	230	3200	400	15000
GLB	600	230	3100	1500	13000

**Dimensions & Weights**

Wash (Tungsten) Model 2560LX



**Weight:** Weight: 24.9 lbs. (11.3 kg)  
**Accessory holder:** 7.5"

**Ordering Information**

NEXERA Luminaire	
Model	Description
2560LX	NEXERA Wash
NEXERA Accessories	
703-03-09BK	Safety Cable
258-01-01P	Black Gobo Holder
287391	Lamp, GLC 115V
294322	Lamp, GLA 115V
363721	Lamp, GKV 230V
363739	Lamp, GLB 230V
7042-XX	Power/Data Cable (XX=Length)*
NEXERA Power Supply (PS-Series)	
20600	Power Supply for 24 NEXERA Luminaires
20300	Power Supply for 12 NEXERA Luminaires
20150	Power Supply for 6 NEXERA Luminaires
NEXERA AC Power Connectors	
PP2PGMC	Stage Pin Connector
LEV2311BK	Twist Lock Connector
HBL5266C	Edison Connector

\*Available in 3', 5', 10', 15', 25', 50', 75', & 100' lengths



**Advancing The Art Of Lighting**