

General

- A component of the Wybron Infotrace Series of Products
- Two individual gel strings with multiple densities of CMY for exceptional color integration
- 432 distinct colors available
- User definable end frames
- Color LCD display and 4 membrane buttons for user settings
- Front mounting plate for additional accessories
- Wide selection of fixture mounting plates
- Integrated stainless steel safety cable
- .063" aluminum sheet metal construction
- Multiple operating personalities for different performance characteristics
- Fan speed may be remote controlled or set to one of three options
- "Time to Destination" option for gel movement
- Accepts power and data on one cable
- 4 pin XLR connector for power and data
- 4 pin XLR connector output for daisy chaining units
- Reverse polarity protection, unit will not be damaged by RAM II style PSUs
- Made in USA

Power/Data

Receives 24v DC and DXM/RDM from Wybron PS Series Power supply

XLR Connector Pin Out

XLR Pin #	Function	Conductor Size
1	Ground	14 AWG
2	Data +	22 AWG
3	Data -	22 AWG
4	24 Volts DC	14 AWG

**Not Compatible with Ram II Power Supplies*

Control

- Uses DMX512-A Protocol
- Infotrace features available using ANSI E1.20 – 2006 Remote Device Management over USITT DMX512 standard
- Color position /main address, user selectable 1-512
- Remote fan and/or Time to Destination addresses, user selectable 1-512
- Sub parameter addresses do not need to be contiguous to main color position address

Parameters and features selectable with Infotrace/RDM:

- Base Address
- Sub Parameter Address (Fan Remote / Time to Destination)
- Self Test Mode

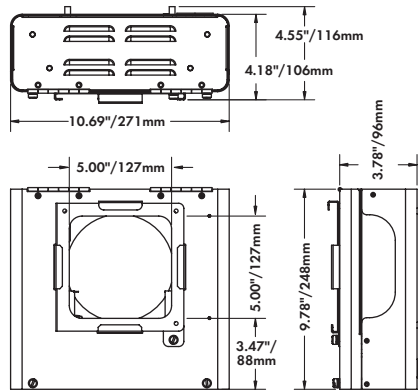
Infotrace/RDM feedback information

Aperture Light Sensor	Voltage Sensor
Unit Temperature Sensor	Fan RPM
Pass Through Current	Roller Stuck
Hours Since Last Maintenance	Init Fail
Gel Colors (on IT equipped gel strings)	Fan Stopped
Gel Temperature Sensor	High Motor Current
Gel string Broken Alert	Low Voltage Alert
Gel string Replacement Period Reached	Gel Wear Counter



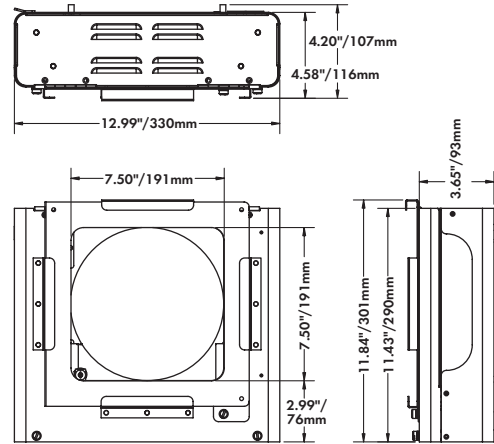
Dimensions & Weights

4-inch Model 84560



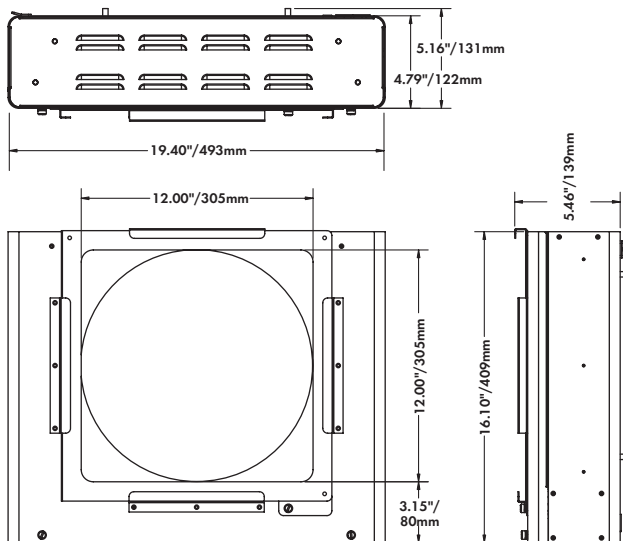
Weight: 6.0 lbs./2.6kg without mounting plate
 Front Door: 6.25" accessory holder

7.5-inch Model 87200



Weight: 7.0 lbs./3.2kg without mounting plate
 Front Door: 10.0" accessory holder

12-inch Model 812210



Weight: 10.5 lbs./4.8kg without mounting plate
 Front Door: 14.0" accessory holder

Ordering Information

CXI IT Color Changer	
Model	Description
84560	4-inch color changer
87200	7.5-inch color changer
812210	12-inch color changer
PS-SERIES Power Supply	
820150	150W power Supply
820300	300W power Supply
820600	600W power Supply
CXI Accessories	
7042-XX	Power/Data Cable (XX=Length)*
CXI IT Gelstrings	
84569-Front	4-inch gelstring
84569-Back	4-inch gelstring
87169-Front	7.5-inch gelstring
87169-Back	7.5-inch gelstring
812219-Front	12.0-inch gelstring
812219-Back	12.0-inch gelstring
CXI IT Mounting Plate INCLUDED. To specify size, see website.	

* Available in 3', 5', 10', 15', 25', 50', 75', & 100' lengths



Advancing The Art Of Lighting