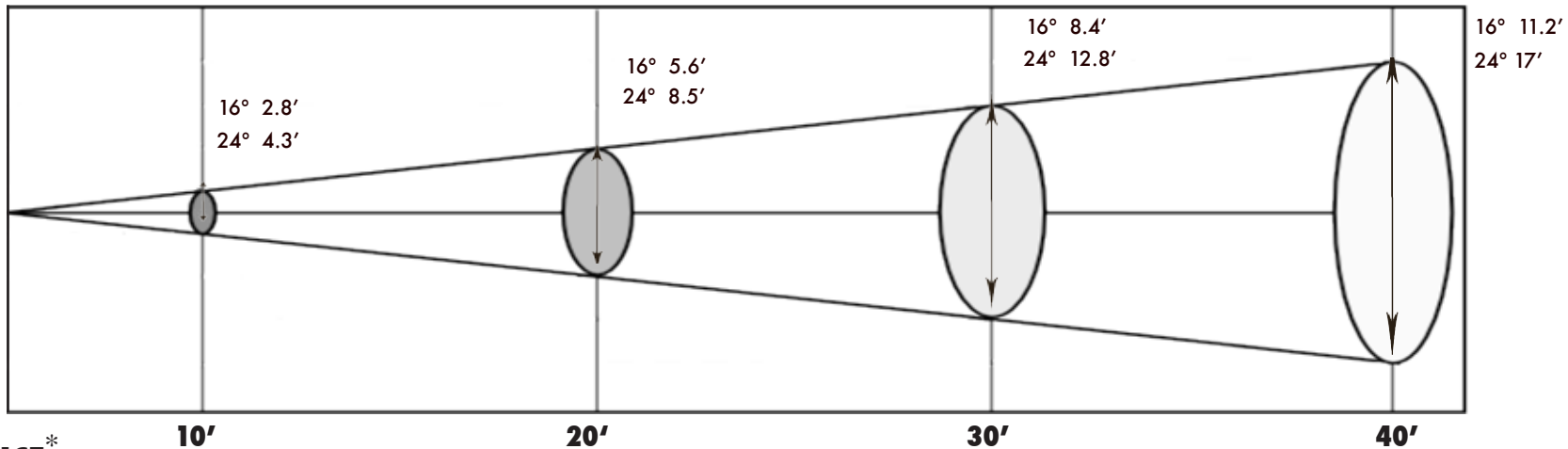




## SUMMARY

<b>Power Consumption</b>	200W
<b>Beam / Field Angle</b>	VN 16° / 27° MF 24° / 42°
<b>Peak Lumens</b>	4600
<b>Peak CRI</b>	92
<b>Hours of LED Lifespan</b>	60,000



### ILLUMINANCE\*

Beam Angle	10'		20'		30'		40'	
	16° fc	24° fc	16° fc	24° fc	16° fc	24° fc	16° fc	24° fc
<b>Red</b>	138	70	35	18	16	8	9	4
<b>Green</b>	302	122	76	31	34	14	19	8
<b>Blue</b>	65	25	16	7	8	3	4	2
<b>White</b>	291	128	73	32	32	14	18	8
<b>Standard White</b>	533	238	133	60	59	26	33	15
<b>Max Output</b>	610	262	153	66	68	29	38	16

### LSD DIFFUSER COMPARISON

	No diffuser	Narrow	Medium	Wide
<b>16° Beam / Field Angle</b>	16° / 27°	17° / 32°	24° / 43°	34° / 58°
<b>24° Beam / Field Angle</b>	24° / 42°	23° / 47°	28° / 55°	37° / 65°



For lux multiply footcandles by 10.76 / For meters multiply feet by .3048

\* Illuminance data measured with a Konica Minolta CL-200A Chroma Meter