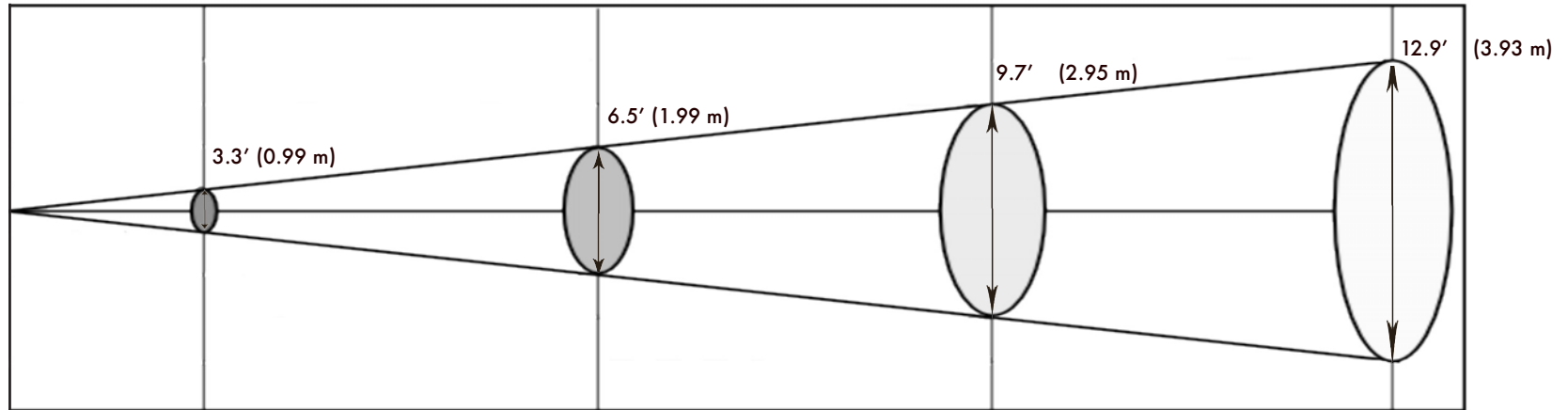




SUMMARY

Power Consumption	200W
Beam / Field Angle	19° / 43°
Peak Lumens	6512
Peak CRI	92
Hours of LED Lifespan	60,000



	10' (3.05 m)		20' (6.10 m)		30' (9.14 m)		40' (12.19 m)	
	lux	fc	lux	fc	lux	fc	lux	fc
2800K	2280	212	602	56	282	26	165	15
3200K	2853	265	751	70	351	33	206	19
3500K	3309	308	865	80	407	38	238	22
4000K	3500	325	931	87	440	41	257	24
5000K	3825	355	1004	93	473	44	275	26
6000K	3304	307	863	80	410	38	236	22

LSD DIFFUSER COMPARISON

	No diffuser	Narrow	Medium	Wide
Beam / Field Angle	19° / 43°	23° / 47°	28° / 55°	37° / 65°

* Illuminance data measured with a Konica Minolta CL-200A Chroma Meter

