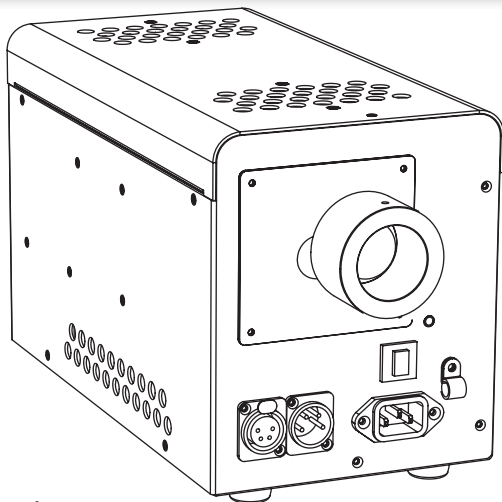


Specifications-CMY Color-mixing Illuminator

TRANSITION
Fiber Illuminator



General

A component of the Wybron Infotrace Series of Products

Integral Color Module provides a nearly infinite color palette with uniform color integration

Accepts up to 38mm common end fiber bundles

Integral electronic ballast & power supply

Uses four channels of DMX control; cyan, magenta, yellow and a mechanical dimmer

Rugged high-temperature, powder coated .063" aluminum sheet metal construction

Remote Device Management ready

Fiber common end remains cool-will not burn PMMA fiber

Compact, elegant design with quick color changing

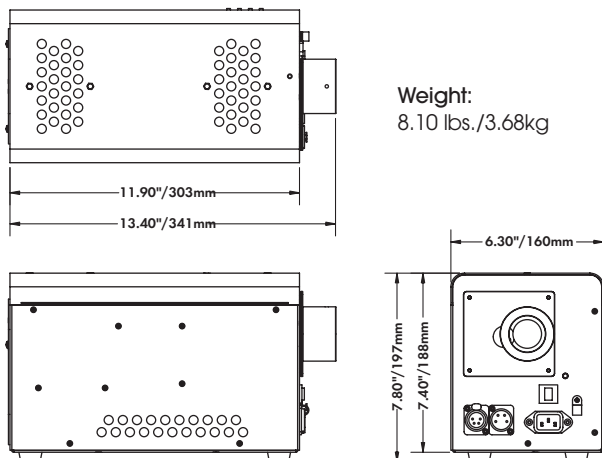
10,000 hour lamp life

150 watt compact, UHI/CDM light source

UL Approved

Dimensions & Weights

TRANSITION Model 8670, 8675, 8677



Power/Data

Input voltage 120/240 VAC 50/60 Hz

DMX In: Male XLR 5-pin

DMX Out: Female XLR 5-pin

Circuit breaker protection

Optical

Reflector: Dichroic coated borosilicate cold mirror

Filters: CMY dichroic filters, quality controlled for consistent color

Hexagonal color integration element insures even color distribution

Socket: G12 style, rated to 350° C

Automatically optimized

Control

Uses four channels of DMX512-A Protocol ; cyan, magenta, yellow and a mechanical dimmer

Infotrace features available using ANSI E1.20 – 2006 Remote Device Management over USITT DMX512 standard

Parameters and features selectable with Infotrace/RDM:

Base Address

Firmware Upgrade

Lamp Data

Lamp Watts(nominal)	150
Rated Hours	10,000
Color Temp	3000K or 4200K
Color Rendering Index	85

Ordering Information

TRANSITION Fiber Illuminator	
Model	Description
8670	CMY Color Mixing Illuminator
8675	CMY Color Mixing Illuminator w/Twinkle Wheel
8677	Fixed Color Illuminator
TRANSITION Fiber Illuminator Accessories	
5000950	UHI 3000K Lamp
5000875	UHI 4200K Lamp
232728	CDM 3000K Lamp
373696	CDM 4200K Lamp
7033-XX	DMX 512 Cable (XX=Length)*

* Available in 3', 5', 10', 15', 25', 50', 75', & 100' lengths



Advancing The Art Of Lighting